



2020

CARTCITY

SHOPPING CART CATALOG



 info@cart-city.com

  (+34) 623 029 082

INDEX...



80 L / 90 L P.3



130 L P.6



160 L P.8

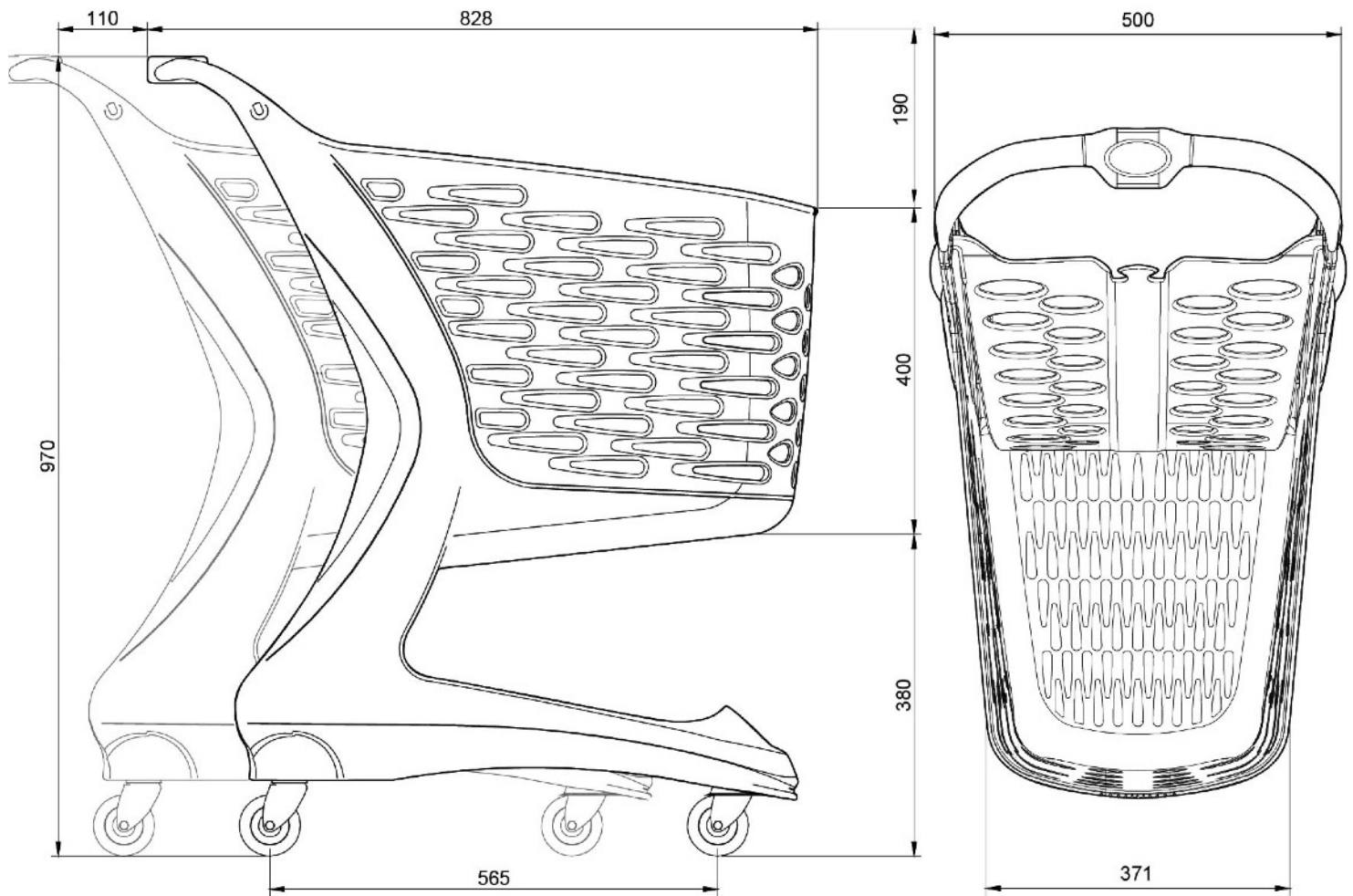


210 L P.11

1

TROLLEY COMPACT 80 LITRES, PLASTIC





- ◆ Full plastic polypropylene cart, made in one piece (Monobloc).
- ◆ Designed to replace the baskets, with a volume of **80 litres** with recommended load capacity of 40kg.
- ◆ Equipped with a base for bottles (except model with baby seat)
- ◆ Very easy to handle and takes little space with a minimum nesting of **11 cm** (between 2 carts)
- ◆ Ideal for small and medium stores that want to change their baskets.
- ◆ Standard 75mm wheels.
- ◆ **Option** front logo, coin lock and baby seat in dark grey.
- ◆ Five standard colours: black, orange, red, green and blue. **Other colours available on request.**



PACKAGING

	MAX	DIMENSION (mm)	WEIGHT (Kg)
1 PALLET	20 PCS	1200 X 1150 X 2000	200

2

TROLLEY COMPACT 90 LITRES WITH BABY SEAT



- ◆ Full plastic polypropylene cart, made in one piece (Monobloc).
- ◆ Designed to replace the baskets, with a volume of **90 litres with baby seat**.
- ◆ 40kg load capacity recommended.
- ◆ Very easy to handle and takes little space with a minimum nesting of **11 cm** (between 2 carts).
- ◆ Ideal for small and medium stores that want to change their baskets.
- ◆ Standard 75mm wheels.
- ◆ **Option** front logo, coin lock.
- ◆ Five standard colours: black, orange, red, green and blue. **Other colours available on request.**



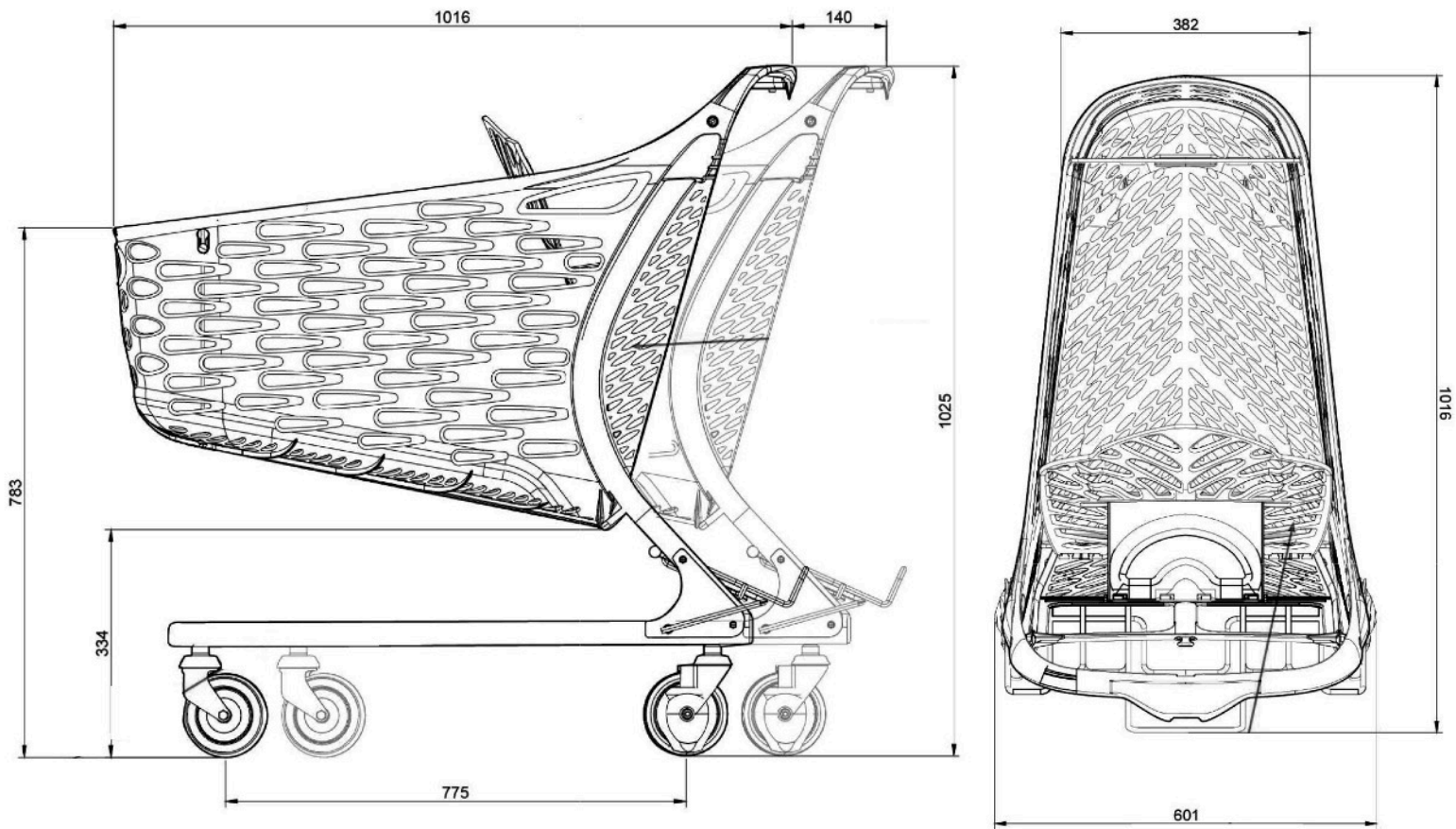
PACKAGING

	MAX	DIMENSION (mm)	WEIGHT (Kg)
1 PALLET	20 PCS	1200 X 1150 X 2000	200

3

TROLLEY 130 LITRES HYBRID





- ◆ **130 litre** hybrid cart.
- ◆ Galvanized steel metal base grey painted RAL 9007.
- ◆ Nesting of only **14 cm** between 2 carts, unique for a trolley of this capacity. Total space optimization.
- ◆ Standard 125 mm wheels with galvanized steel structure. Option wheels for traveller.
- ◆ Equipped **with dark grey baby seat** and bag hook.

Options :

- Front logo or / and handle
 - Coin Lock
 - Products separator (allows to separate food products with hygiene products)
 - Folding iron base platform for bottles
- ◆ Five standard colours: black, orange, red, green and blue. **Other colours available on request.**



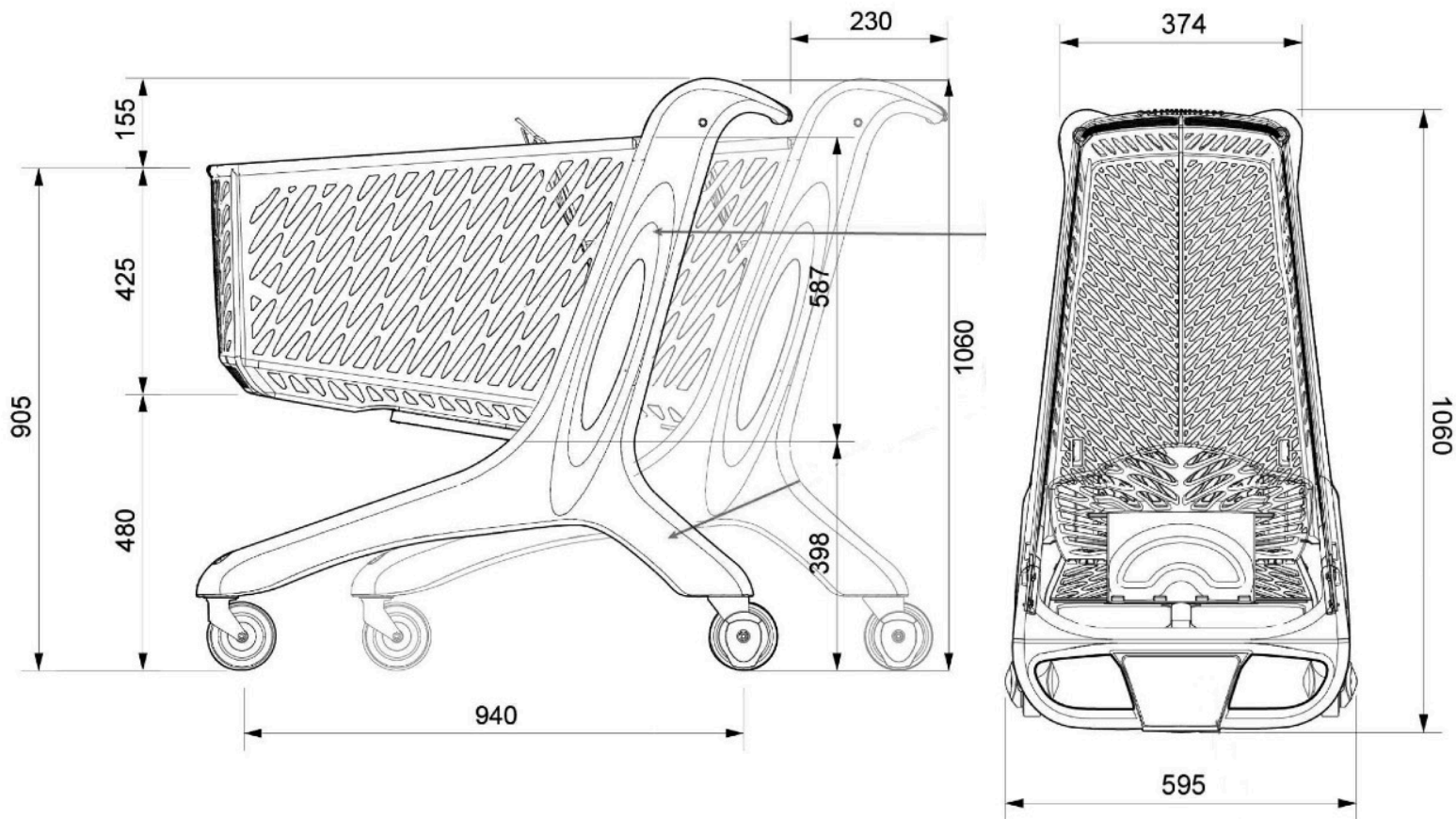
PACKAGING

	MAX	DIMENSION (mm)	WEIGHT (Kg)
1 PALLET	16 PCS	1200 X 1150 X 2200	270

4

TROLLEY 160 LITRES, PLASTIC





- ◆ Plastic **160 litre** cart made of **polycarbonate**, elegant and very resistant material.
- ◆ Light, easy to handle, with or without load.
- ◆ Easy to clean. Shape designed with gaps for water flow.
- ◆ Chassis, handle and baby seat dark grey.
- ◆ Compact nesting: **23 cm**
- ◆ Standard 100mm wheels with galvanized steel support. Option wheels for traveller.
- ◆ Equipped **with ergonomic baby seat** and bag hook.

Options:

- Side logo or / and handle
 - Coin Lock
 - Products separator (allows to separate food products with hygiene products)
 - olding iron base platform for bottles
- ◆ Five standard colours: black, orange, red, green and blue. **Other colours available on request.**



PACKAGING

	MAX	DIMENSION (mm)	WEIGHT (Kg)
1 PALLET	10 PCS	1200 X 1200 X 2400	250

5

TROLLEY 160 LITRES, HYBRID



- ◆ Hybrid **160 litre** cart made of **polycarbonate**, elegant and very resistant material.
- ◆ Light, easy to handle, with or without load.
- ◆ Easy to clean. Shape designed with gaps for water flow.
- ◆ Chassis, handle and baby seat dark grey.
- ◆ Compact nesting: **23 cm**
- ◆ Standard 125 mm wheels with galvanized steel support. Option wheels for traveller.
- ◆ Equipped **with ergonomic baby seat** and bag hook.

Option:

- Side logo or / and handle
 - Coin lock
 - Products separator (allows separating food products with hygiene products)
 - Base platform folding iron for bottles
- ◆ Five standard colours: black, orange, red, green and blue. **Other colours available on request.**

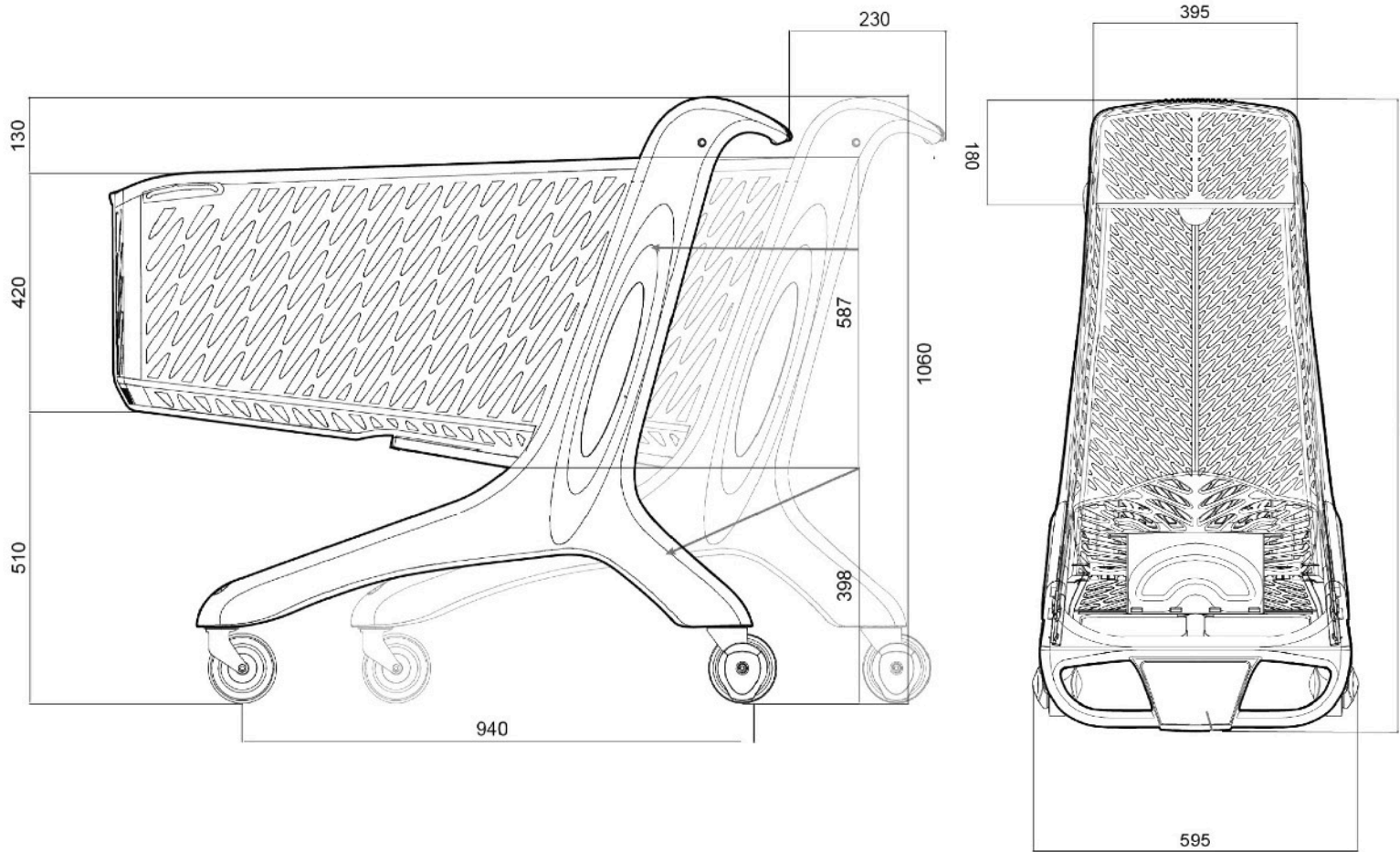
**PACKAGING**

	MAX	DIMENSION (mm)	WEIGHT (Kg)
1 PALLET	10 PCS	1200 X 1200 X 2400	250

6

TROLLEY 210 LTRES, PLASTIC





- ◆ Plastic **210 litre** cart made of **polycarbonate**, elegant and very resistant material.
- ◆ Light, easy to handle, with or without load.
- ◆ Easy to clean. Shape designed with gaps for water flow.
- ◆ Chassis, handle and baby seat dark grey.
- ◆ Compact nesting: **23 cm**
- ◆ Standard 100mm wheels with galvanized steel support. Option wheels for traveller.
- ◆ Equipped **with ergonomic baby seat**, bag hook and separator products.

Options:

- Side logo or / and handle
- Coin lock
- ◆ Five standard colours: black, orange, red, green and blue. **Other colours available on request.**



PACKAGING

	MAX	DIMENSION (mm)	WEIGHT (Kg)
1 PALLET	10 PCS	1200 X 1200 X 2400	260

7

TROLLEY 210 LITRES, HYBRID



- ◆ Hybrid **210 litre** cart made of **Polycarbonate** (upper part), elegant and very resistant material and steel chassis.
- ◆ Easy to clean. Shape designed with gaps for water flow.
- ◆ Dark grey baby seat.
- ◆ Bright painted galvanized steel chassis.
- ◆ Compact nesting: **23 cm**
- ◆ Standard 125 mm wheels with galvanized steel support. Option wheels for traveller.
- ◆ Light, easy to handle, with or without load.
- ◆ Equipped **with ergonomic baby seat**, bag hook and separator products.

Options:

- Side logo or / and handle
- Coin lock

- ◆ Five standard colours: black, orange, red, green and blue. **Other colours available on request.**

**PACKAGING**



	MAX	DIMENSION (mm)	WEIGHT (Kg)
1 PALLET	10 PCS	1200 X 1200 X 2400	260

CARTCITY



The distinctive feature of our trolleys is its innovative Italian design.

 info@cart-city.com

  (+34) 623 029 082